

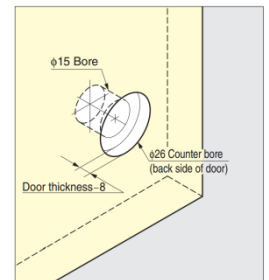
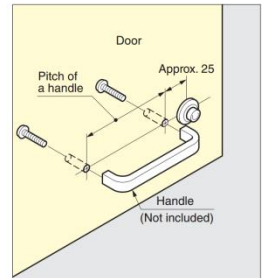
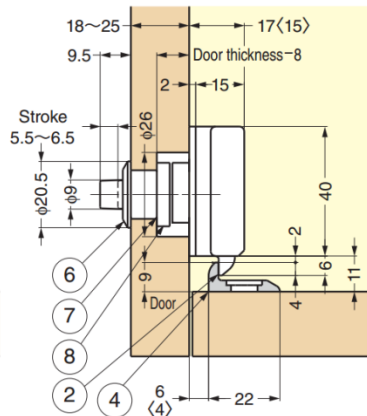
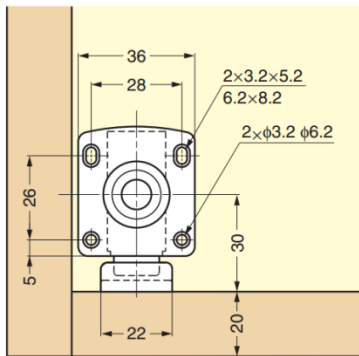
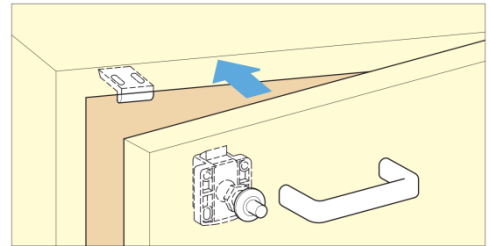
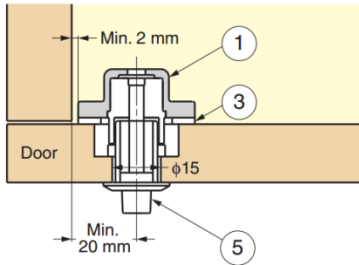
## GSL-B Push Knob Latch

### Features

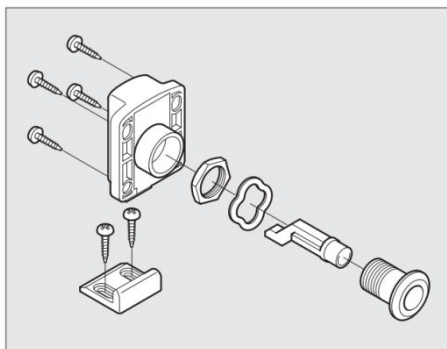
- Pull the handle while pushing the button to open door
- Spacer, for door thickness 18 - 21 mm (**GSL-B211**) and 22 - 25 mm (**GSL-B251**) included

### Parts Included

- Pan head tapping screw 3×14



\* < > = Without spacer.



No.	Part Name	Material	Finish/Colour
①	Body	Polyamide (PA)	Ivory, Brown
②	Latch	Polyamide (PA)	Ivory, Brown
③	Spacer	Polyamide (PA)	Ivory, Brown
④	Counter Plate	Polyacetal (POM)	Ivory, Brown
⑤	Push Button	Polyacetal (POM)	Ivory, Brown
⑥	Base	Polyamide (PA)	Ivory, Brown
⑦	Washer (φ 14)	Spring Steel	—
⑧	Nut (M14)	Steel	Yellow Zinc Chromate

Part No.	Colour	Door Thickness	Spacer	Retaining Force	
GSL-B211-I	Ivory	18, 19	Necessary	156.8 N	16 kg
		20, 21	Unnecessary		
GSL-B211-BR	Brown	18, 19	Necessary		
		20, 21	Unnecessary		
GSL-B251-I	Ivory	22, 23	Necessary		
		24, 25	Unnecessary		
GSL-B251-BR	Brown	22, 23	Necessary		
		24, 25	Unnecessary		